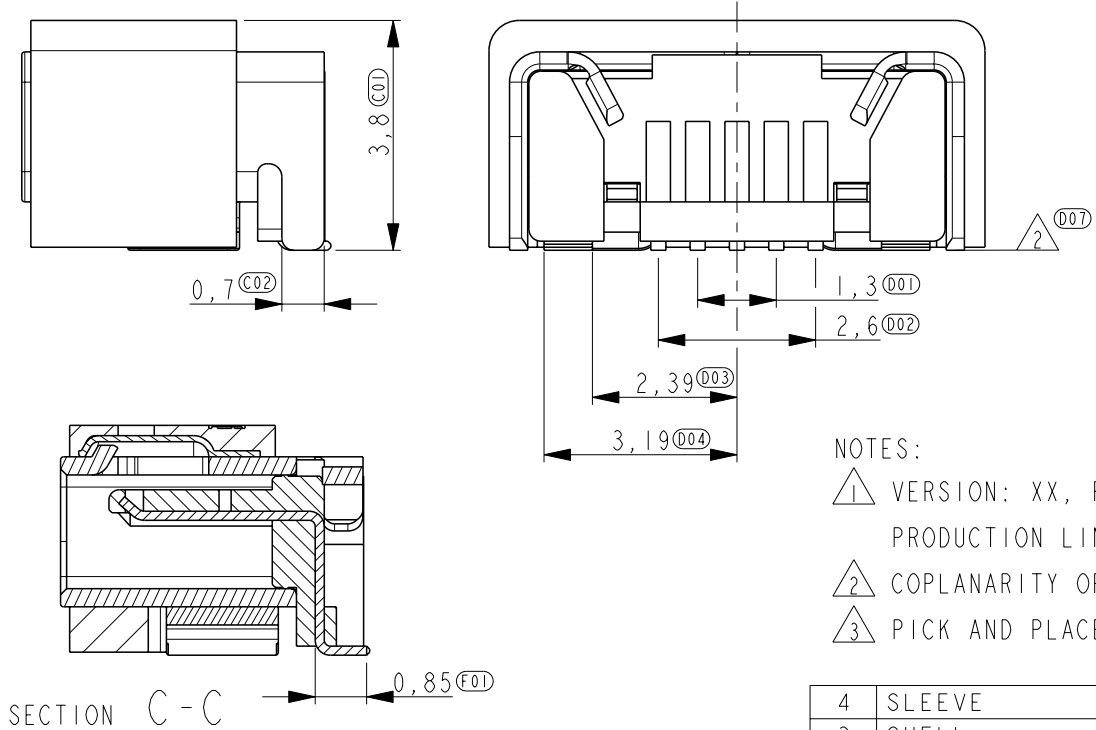
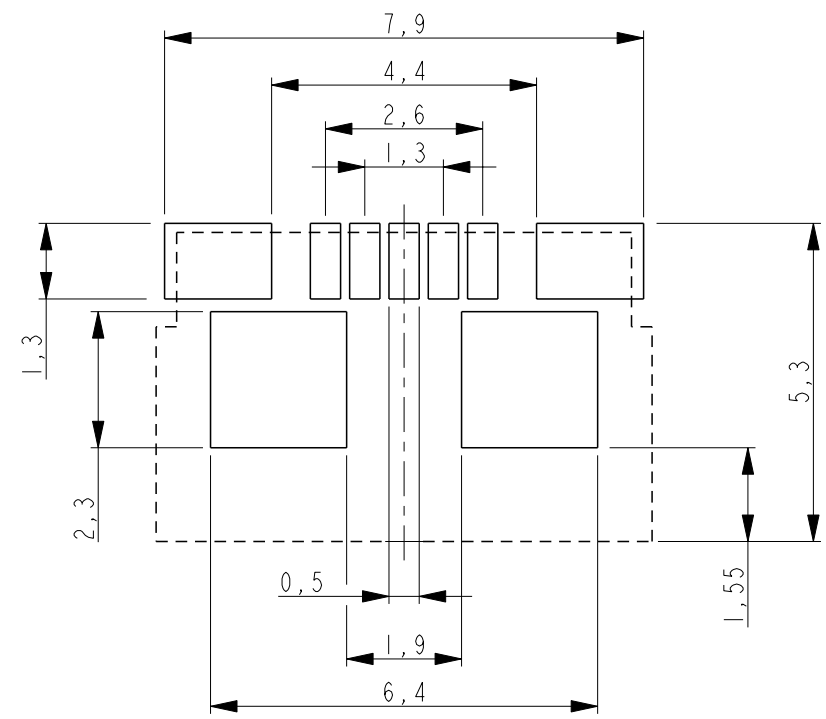
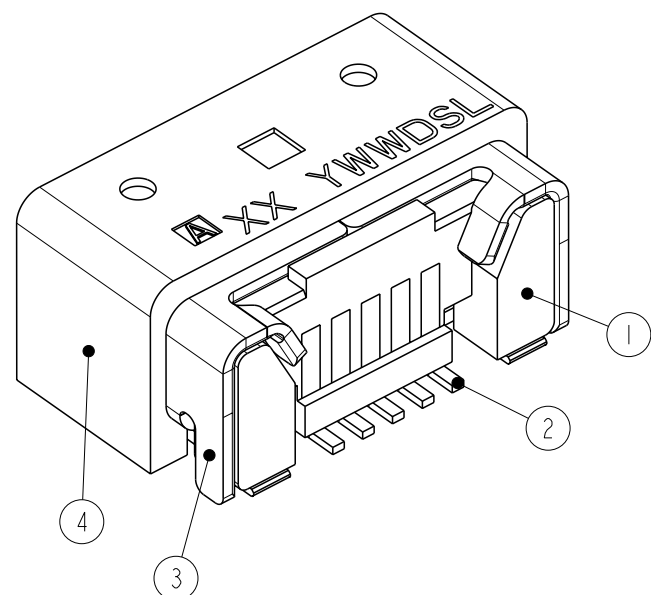
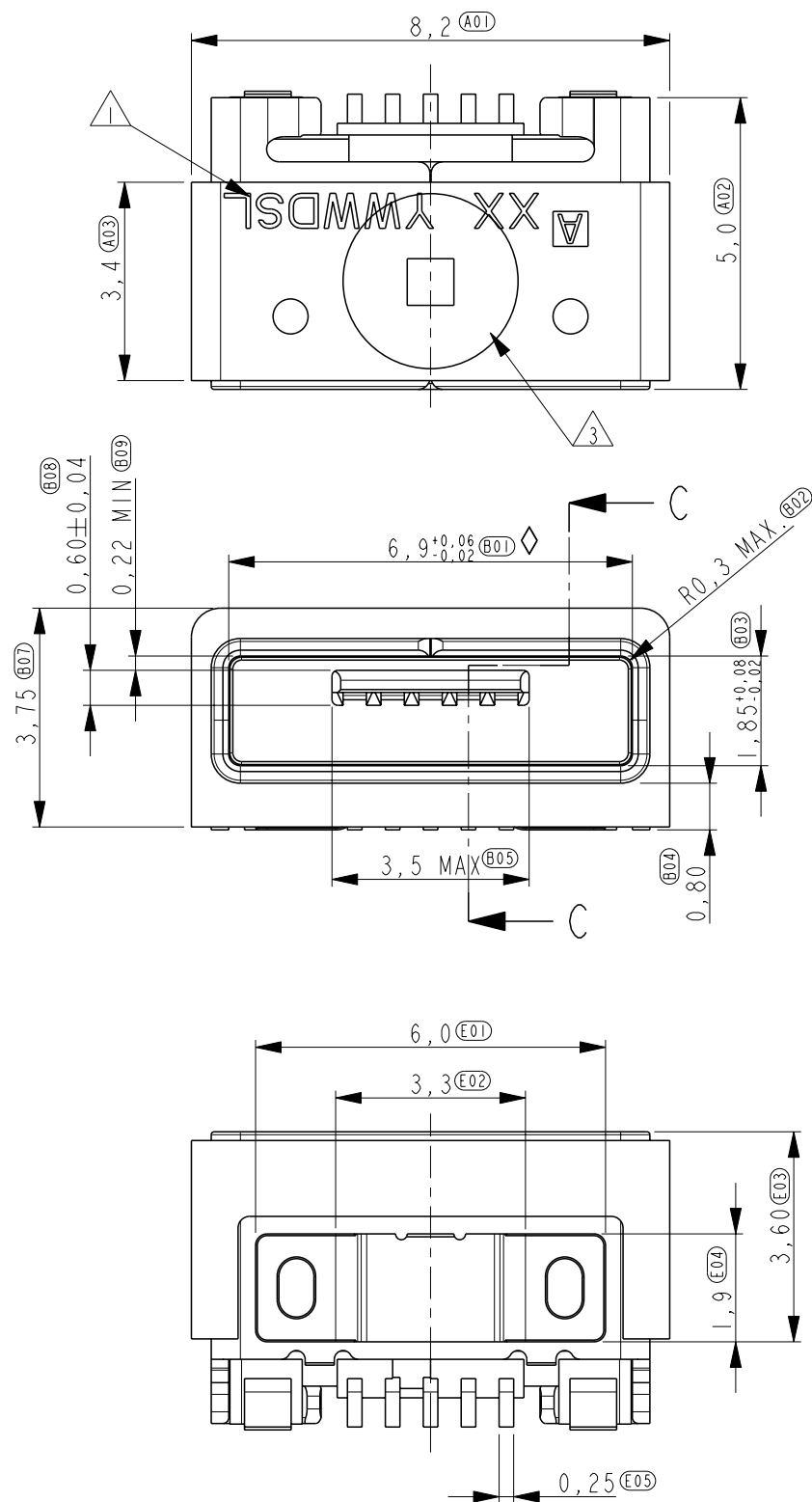


THIS DRAWING IS UNPUBLISHED. RELEASED FOR PUBLICATION 20
 © COPYRIGHT 20 BY - ALL RIGHTS RESERVED.

LOC		DIST		REVISIONS			
P	LTR	DESCRIPTION	DATE	DWN	APVD		
-	-	-	-	-	-		
A		ECR-12-012496	11JUL2012	JvH	DH		
B		ECR-12-014942	22AUG2012	WJ	DH		
B1		ECR-12-015266	28AUG2012	WJ	DH		
B2		ECR-13-013765	30AUG2013	JvH	DH		



NOTES:
 1 VERSION: XX, PRODUCTION DATE: YYWW, SHIFT CODE: S, PRODUCTION LINE NO: L.
 2 COPLANARITY OF 11 SOLDER SURFACES 0,08 MAX.
 3 PICK AND PLACE AREA Ø3

TE PN: 1551629-2
 TE PN FOR LOW MOQ: 1551629-3

THIS DRAWING IS A CONTROLLED DOCUMENT.

DIMENSIONS:		TOLERANCES UNLESS OTHERWISE SPECIFIED:	
mm			
0 PLC	±0,2		
1 PLC	±0,1		
2 PLC	±0,1		
3 PLC	±0,025		
4 PLC	±0,001		
ANGLES	±2°		
MATERIAL		FINISH	

ITEM NO.	DESCRIPTION	MATERIAL	FINISH
4	SLEEVE	LCP	
3	SHELL	STAINLESS STEEL	Tin over Nickel plating
2	CONTACT	COPPER ALLOY	Gold over Nickel plating
1	HOUSING	LCP	

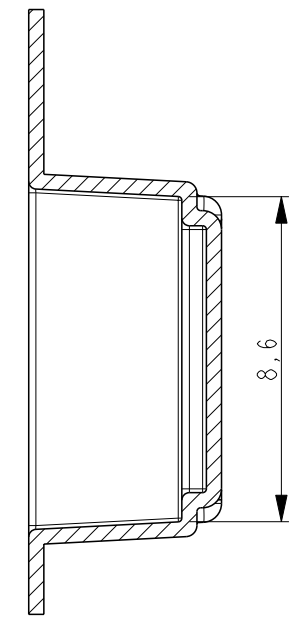
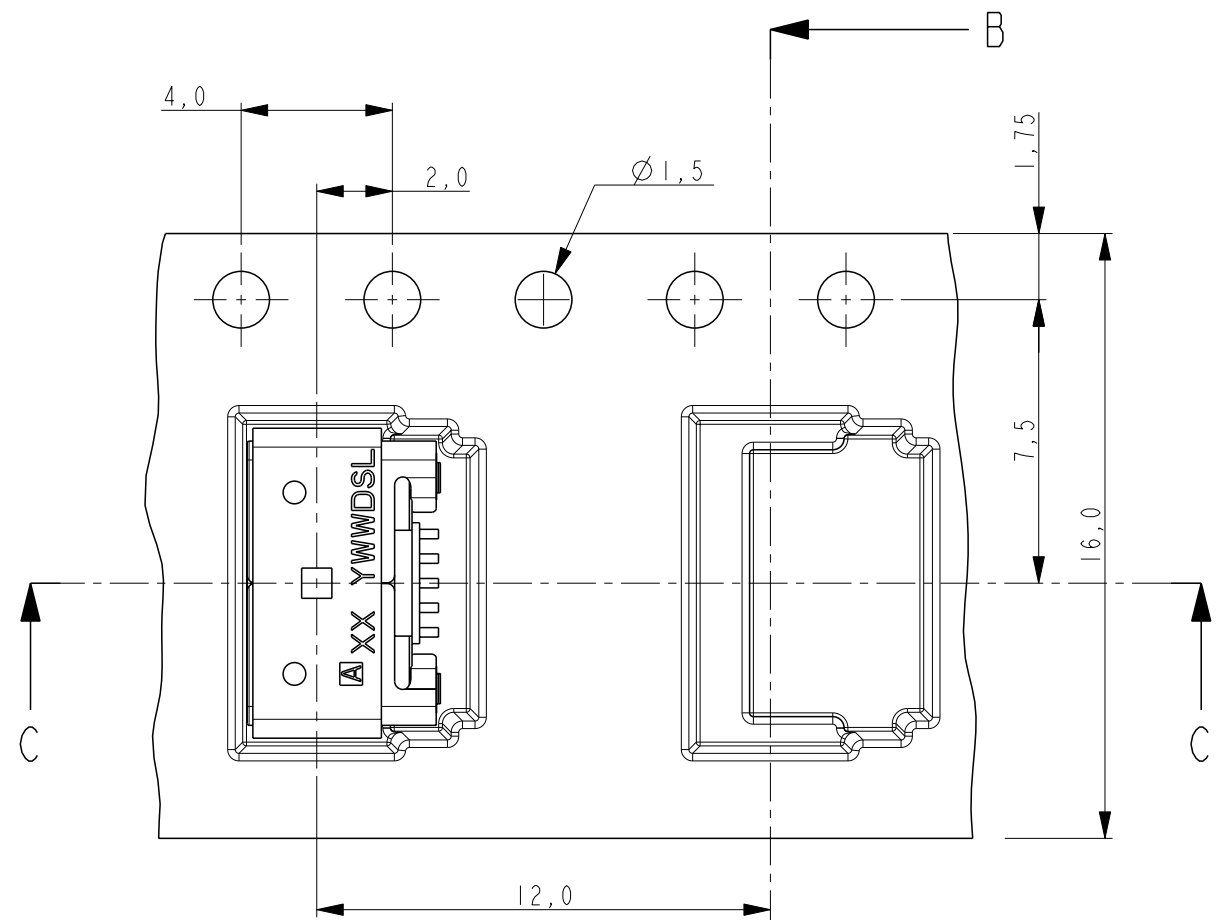
ITEM NO.	DESCRIPTION	MATERIAL	FINISH
DWN	04APR2010		
W. Jansen			
CHK	04APR2010		
W. Jansen			
APVD	04APR2010		
D. Halberstadt			
PRODUCT SPEC			
APPLICATION SPEC			
WEIGHT	0,33 gr		

TE Connectivity		NAME	
STE		SPLASH-PROOF MICRO USB AB-TYPE	
		0,8 mm OFFSET	
SIZE	CAGE CODE	DRAWING NO	RESTRICTED TO
A3	00779	C=1551629	-

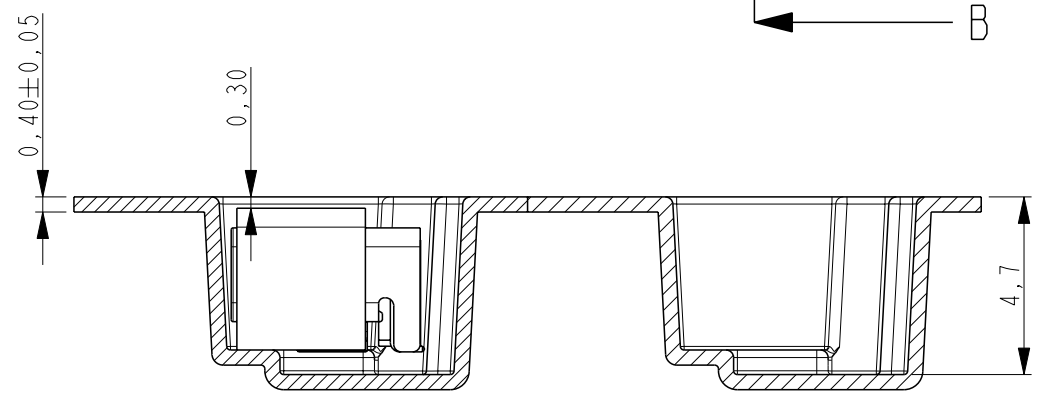
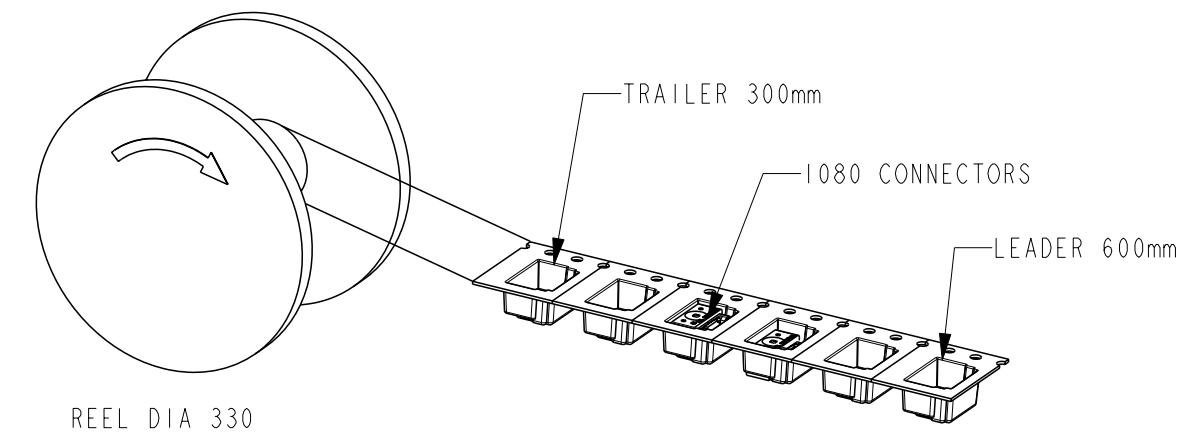
Customer Drawing	SCALE	SHEET	OF	REV
	8:1	1	3	B2

THIS DRAWING IS UNPUBLISHED. RELEASED FOR PUBLICATION 20
 © COPYRIGHT 20 BY - ALL RIGHTS RESERVED.

LOC		DIST		REVISIONS			
P	LTR	DESCRIPTION	DATE	DWN	APVD		
-	-	SEE SHEET 1	-	-	-		


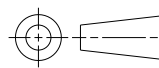


SECTION B-B



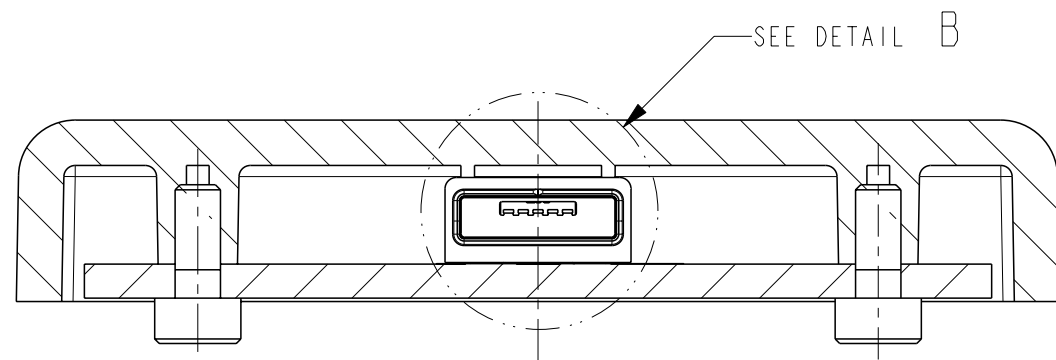
SECTION C-C

NOTES:
COVER, EMOSS TAPE AND REEL ACCODING EIA STANDARD 481-D

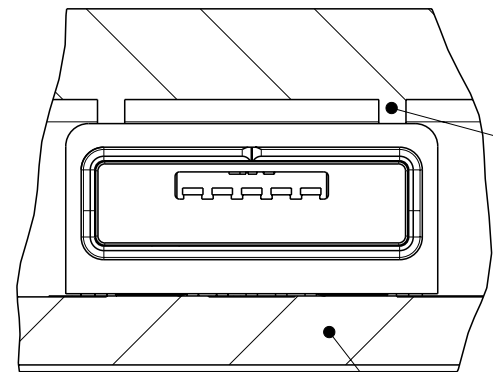
THIS DRAWING IS A CONTROLLED DOCUMENT.		DWN W. Jansen	04APR2010	 TE Connectivity NAME SPLASH-PROOF MICRO USB AB-TYPE 0,8 mm OFFSET								
DIMENSIONS: mm		CHK W. Jansen	04APR2010									
		APVD D. Halberstadt	04APR2010									
TOLERANCES UNLESS OTHERWISE SPECIFIED:		PRODUCT SPEC	-									
0 PLC ±0,2 1 PLC ±0,1 2 PLC ±0,1 3 PLC ±0,025 4 PLC ±0,001 ANGLES ±2°		APPLICATION SPEC	-	SIZE	A3	CAGE CODE	00779	DRAWING NO	C=1551629	RESTRICTED TO	-	
MATERIAL -		FINISH -	WEIGHT	0,33 gr	Customer Drawing		SCALE	8:1	SHEET	2 OF 3	REV	B2

THIS DRAWING IS UNPUBLISHED. RELEASED FOR PUBLICATION 20
 © COPYRIGHT 20 BY - ALL RIGHTS RESERVED.

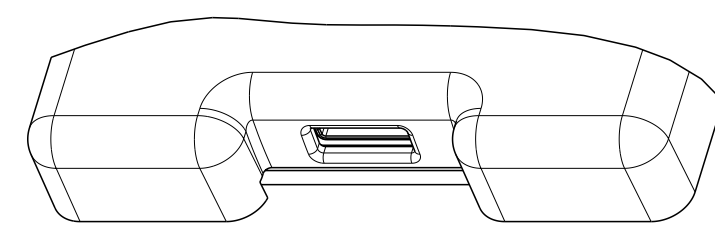
LOC	DIST	REVISIONS			
P	LTR	DESCRIPTION	DATE	DWN	APVD
-	-	SEE SHEET 1	-	-	-



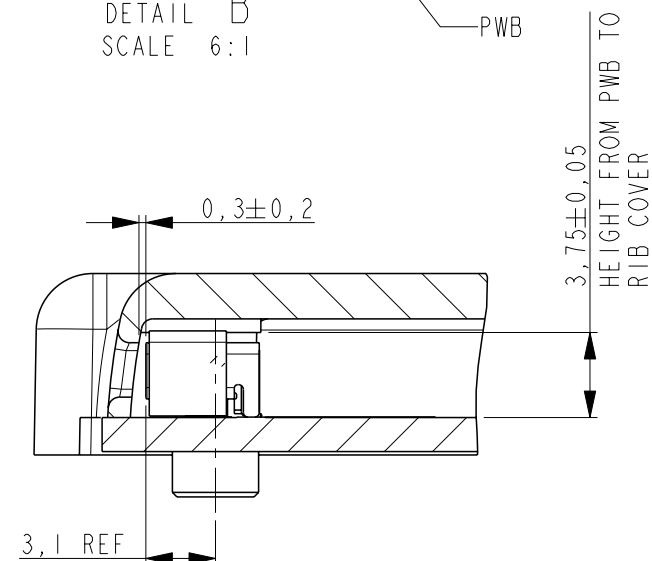
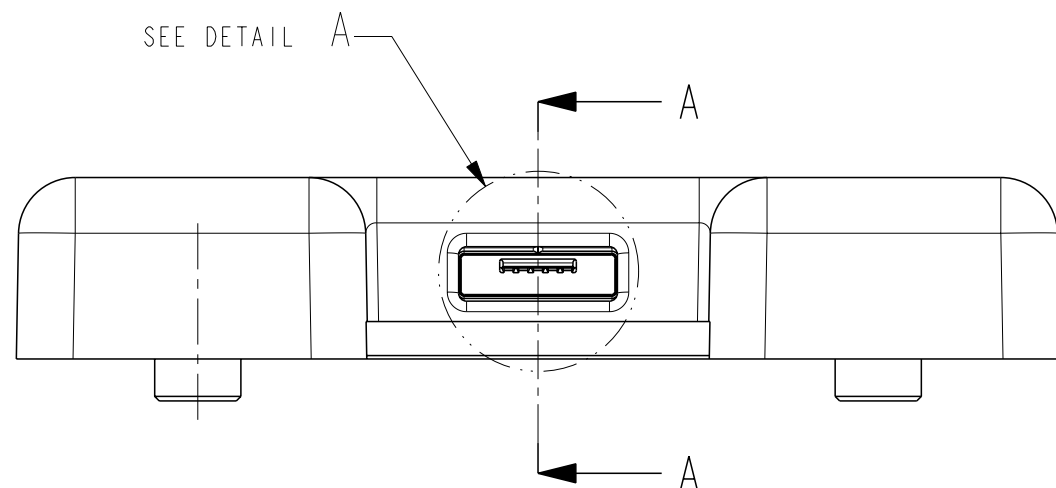
SECTION D-D



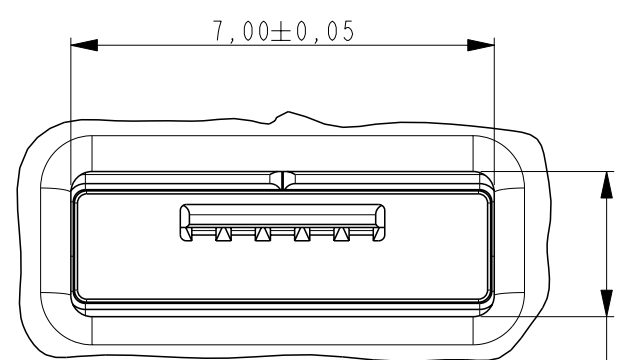
DETAIL B
SCALE 6:1



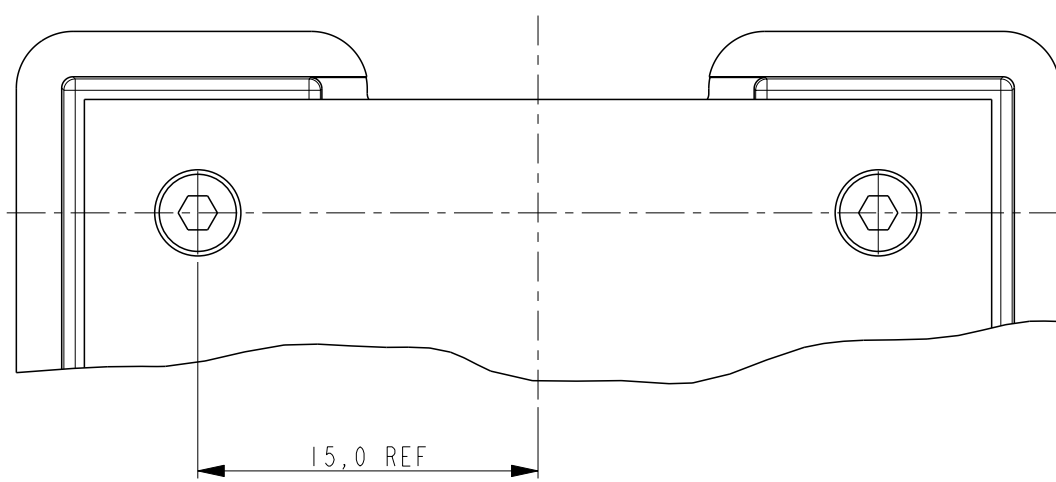
SCALE 2:1



SECTION A-A



RECOMMENDED COVER HOLE SHAPE
DETAIL A
SCALE 8:1



RECOMMENDED PWB AND COVER ASSEMBLY

THIS DRAWING IS A CONTROLLED DOCUMENT.		DWN W. Jansen 04APR2010	TE Connectivity															
DIMENSIONS: mm		CHK W. Jansen 04APR2010																
TOLERANCES UNLESS OTHERWISE SPECIFIED:		APVD D. Halberstadt 04APR2010	NAME SPLASH-PROOF MICRO USB AB-TYPE 0,8 mm OFFSET															
<table border="0"> <tr> <td>0 PLC</td> <td>±0,2</td> </tr> <tr> <td>1 PLC</td> <td>±0,1</td> </tr> <tr> <td>2 PLC</td> <td>±0,1</td> </tr> <tr> <td>3 PLC</td> <td>±0,025</td> </tr> <tr> <td>4 PLC</td> <td>±0,001</td> </tr> <tr> <td>ANGLES</td> <td>±2°</td> </tr> </table>		0 PLC	±0,2	1 PLC	±0,1	2 PLC	±0,1	3 PLC	±0,025	4 PLC	±0,001	ANGLES	±2°	PRODUCT SPEC -	SIZE A3	CAGE CODE 00779	DRAWING NO C=1551629	RESTRICTED TO -
0 PLC	±0,2																	
1 PLC	±0,1																	
2 PLC	±0,1																	
3 PLC	±0,025																	
4 PLC	±0,001																	
ANGLES	±2°																	
MATERIAL -		FINISH -	WEIGHT 0,33 gr	Customer Drawing		SCALE 8:1	SHEET 3 OF 3	REV B2										